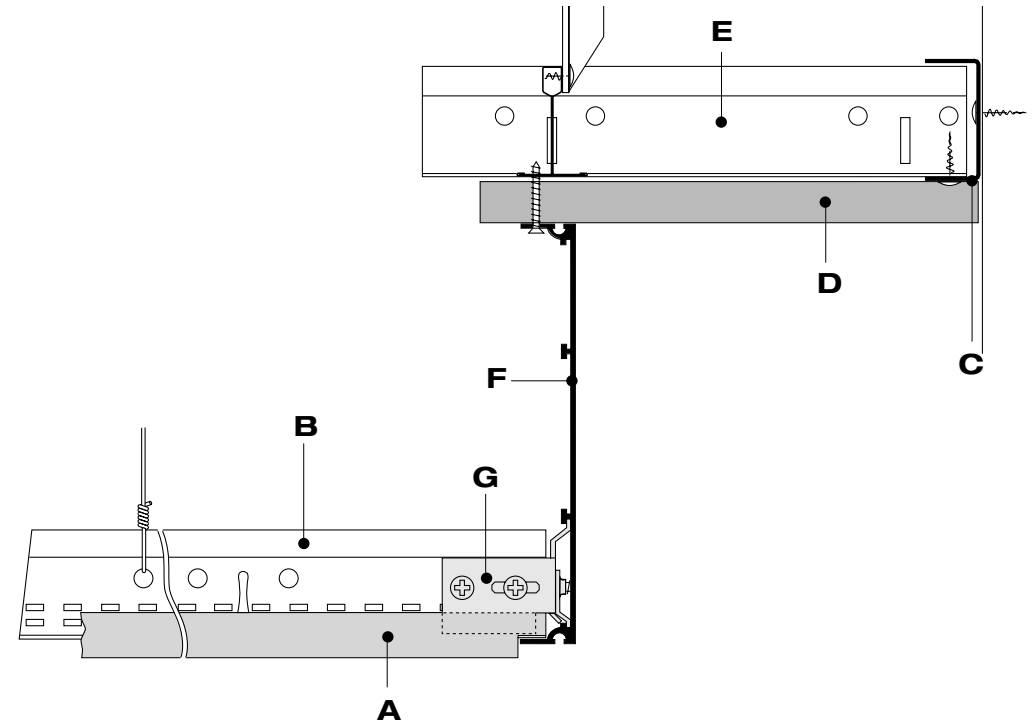
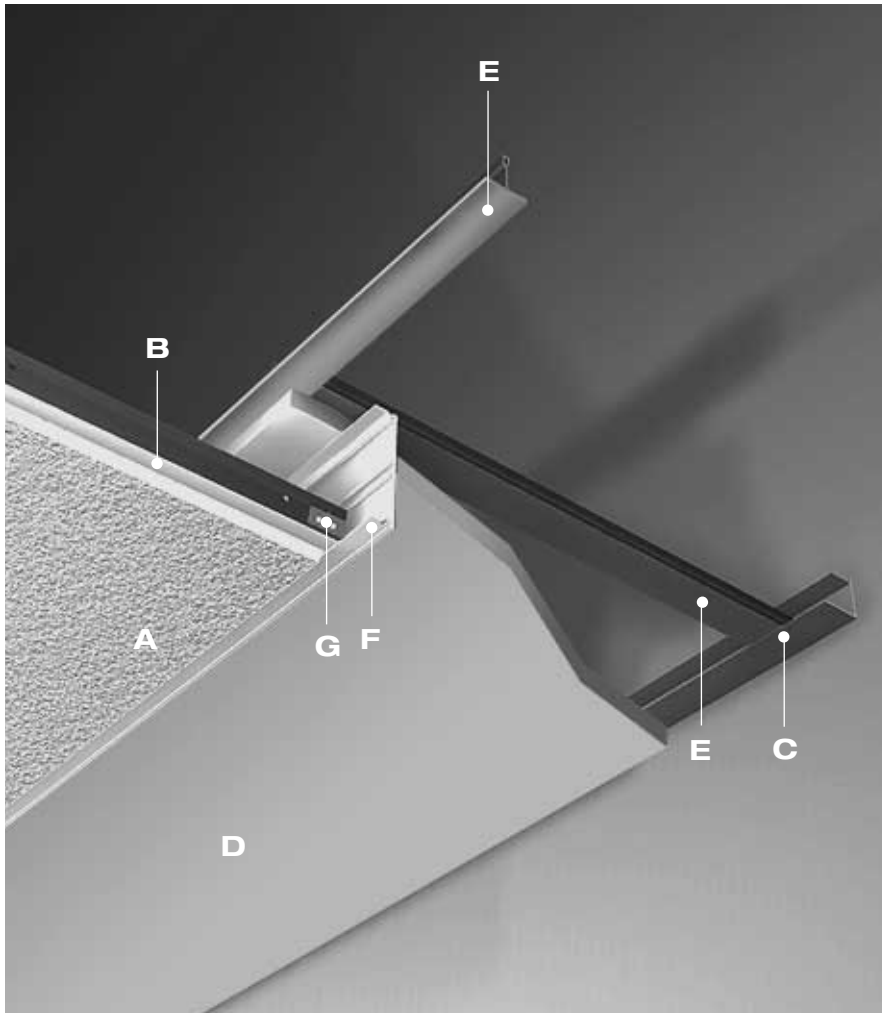


AXIOM PERIMETER SOLUTIONS

Upstand plasterboard margins

DESIGN SOLUTION 1

AXIOM PROFILES



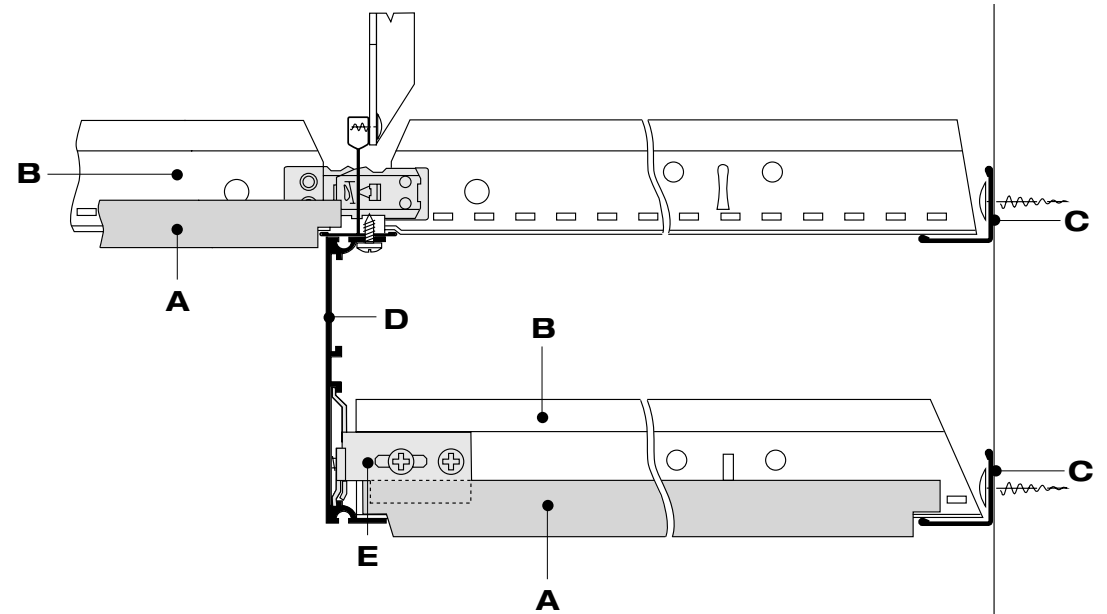
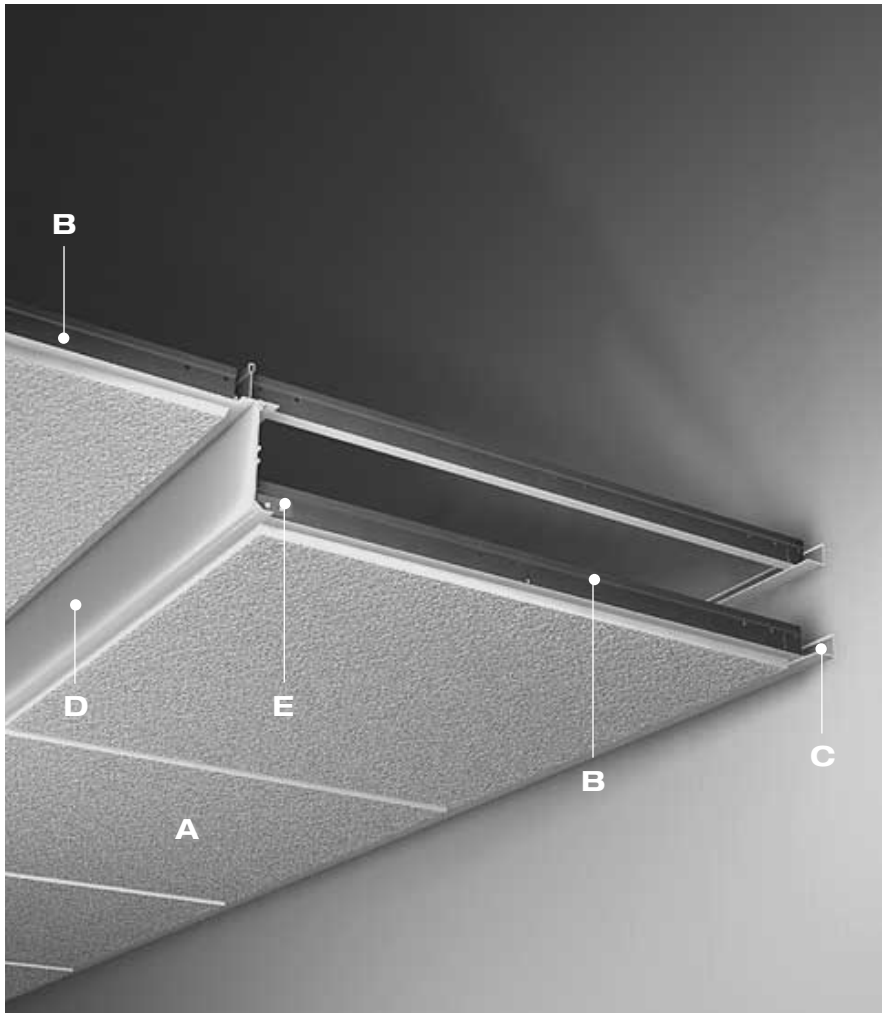
- A** Armstrong suspended ceiling tile
- B** Armstrong Trulok suspension system
- C** Armstrong C Channel
- D** Plasterboard
- E** Trulok T35 knurled plasterboard suspension system
- F** Axiom Profiles 50, 100, 150, 200mm
- G** Axiom Profiles T-bar connector clip

AXIOM PERIMETER SOLUTIONS

Change in level downstand

DESIGN SOLUTION 2

AXIOM PROFILES



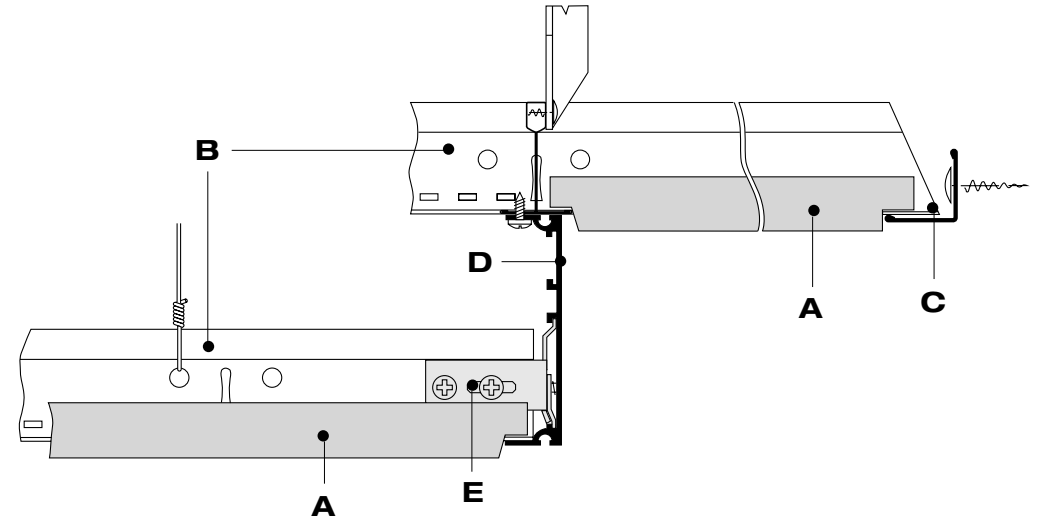
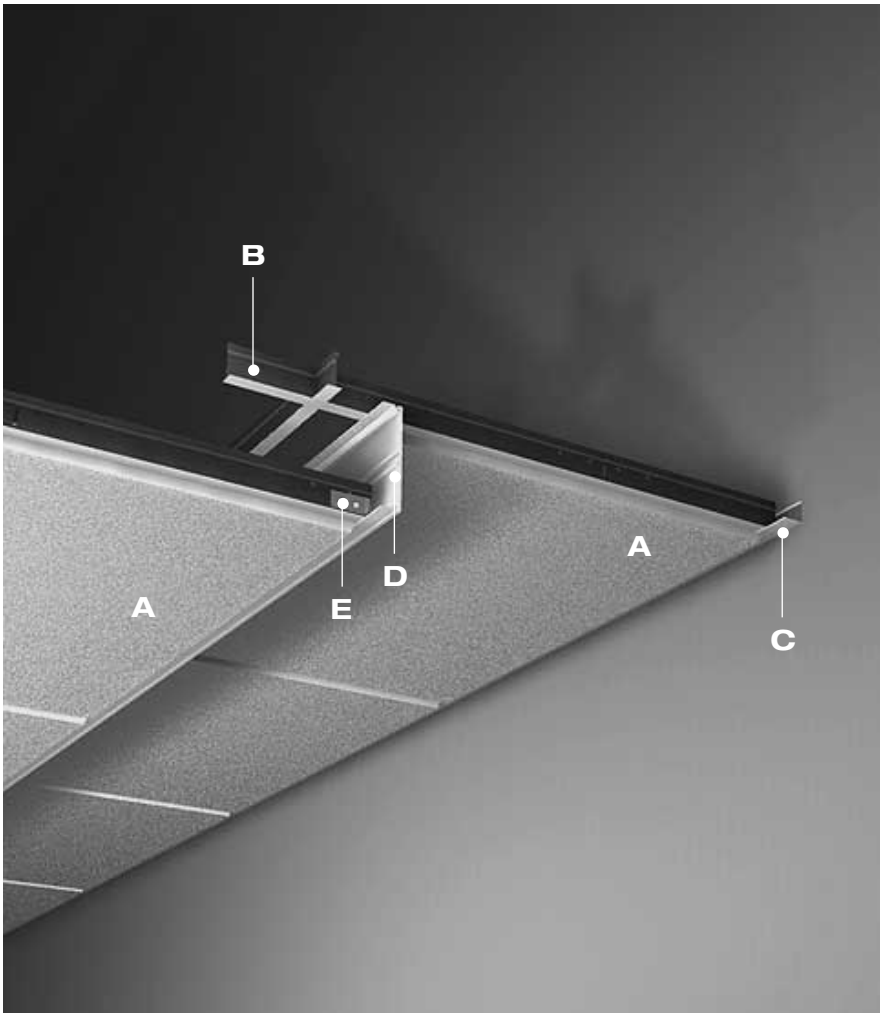
- A** Armstrong suspended ceiling tile
- B** Armstrong Trulok suspension system
- C** Armstrong Trulok perimeter trim
- D** Axiom Profiles 50, 100, 150, 200mm
- E** Axiom Profiles T-bar connector clip

AXIOM PERIMETER SOLUTIONS

Change in level upstand

DESIGN SOLUTION 3

AXIOM PROFILES



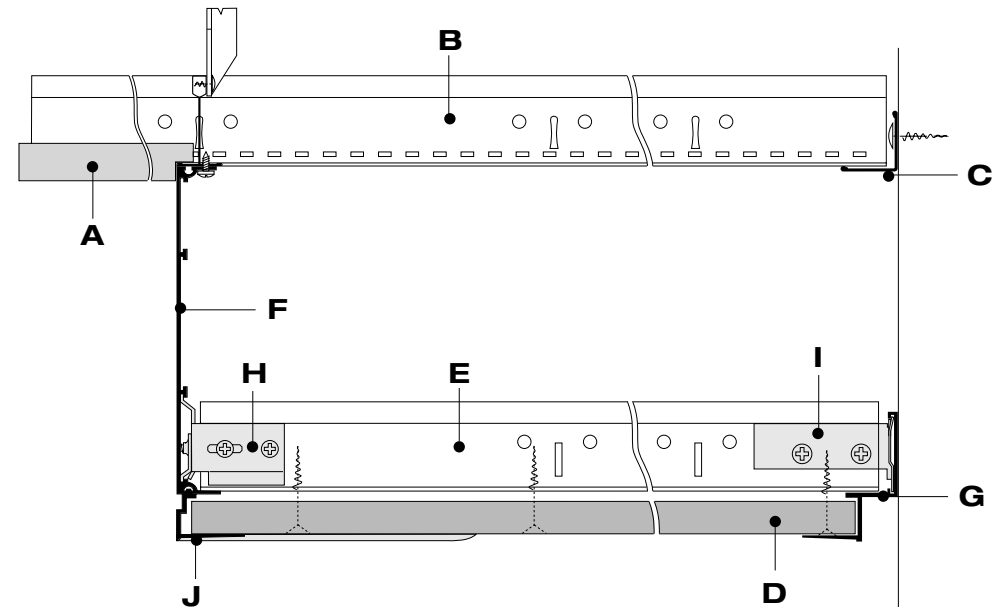
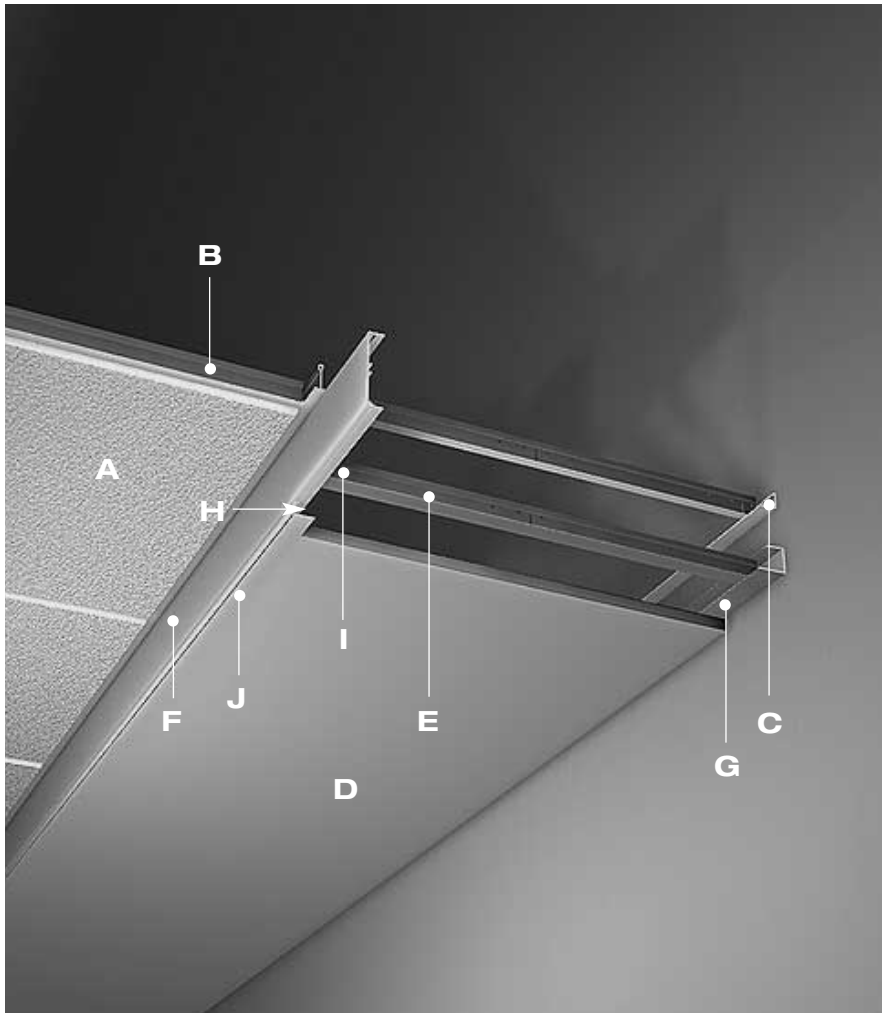
- A** Armstrong suspended ceiling tile
- B** Armstrong Trulok suspension system
- C** Armstrong perimeter trim
- D** Axiom Profiles 50, 100, 150, 200mm
- E** Axiom Profiles T-bar connector clip

AXIOM PERIMETER SOLUTIONS

Downstand plasterboard margin

DESIGN SOLUTION 4

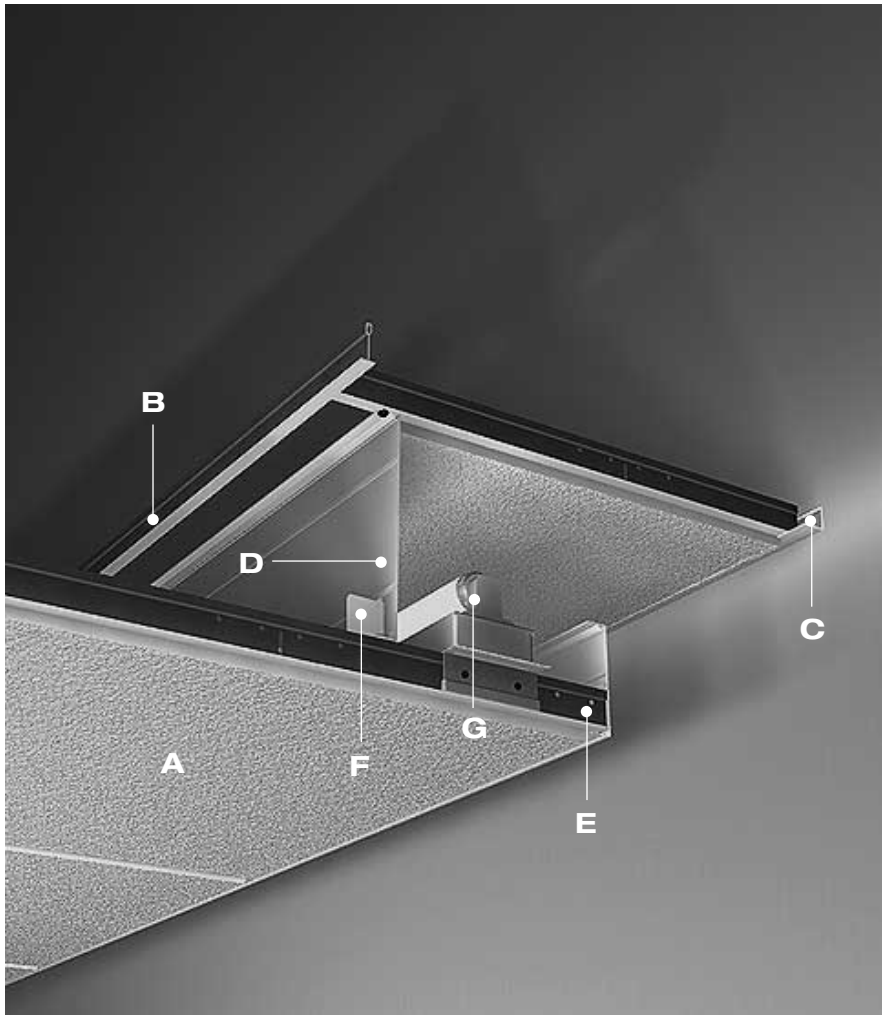
AXIOM PROFILES



- A** Armstrong suspended ceiling tile
- B** Armstrong Trulok suspension system
- C** Armstrong perimeter trim
- D** Plasterboard
- E** Trulok T35 knurled plasterboard suspension system
- F** Axiom Profiles 50, 100, 150, 200mm
- G** Axiom Transitions plasterboard perimeter trim
- H** Axiom Profiles T-bar connector clip
- I** Axiom Transitions T-bar connector clip
- J** Axiom Profiles plasterboard trim

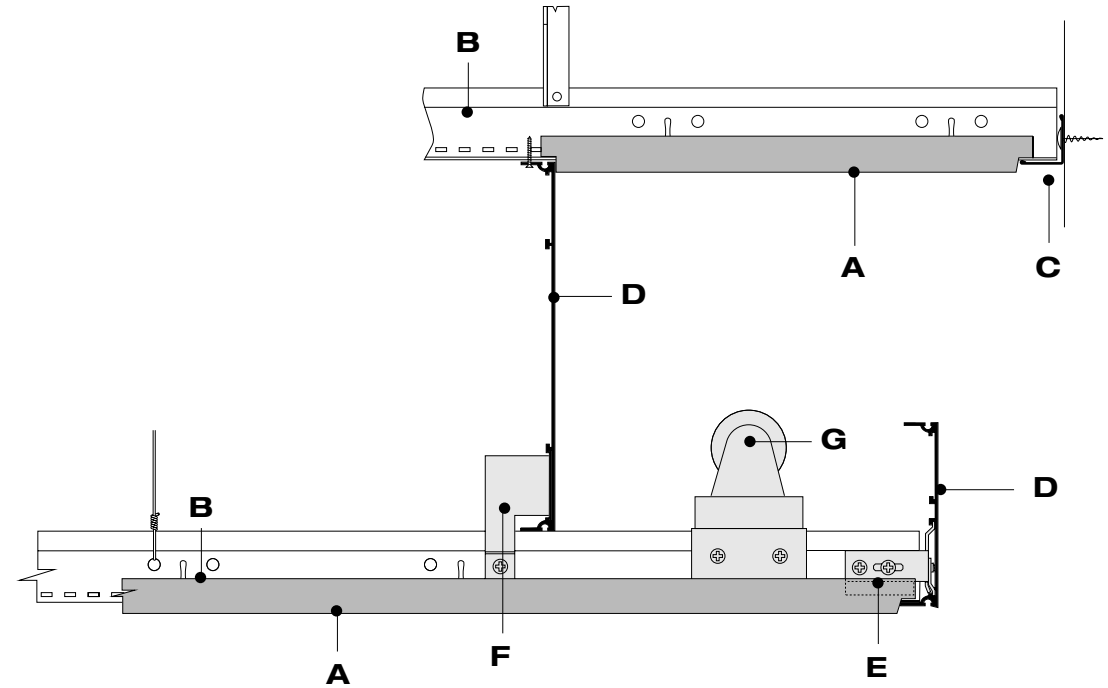
AXIOM PERIMETER SOLUTIONS

Concealed lighting detail



DESIGN SOLUTION 5

AXIOM PROFILES



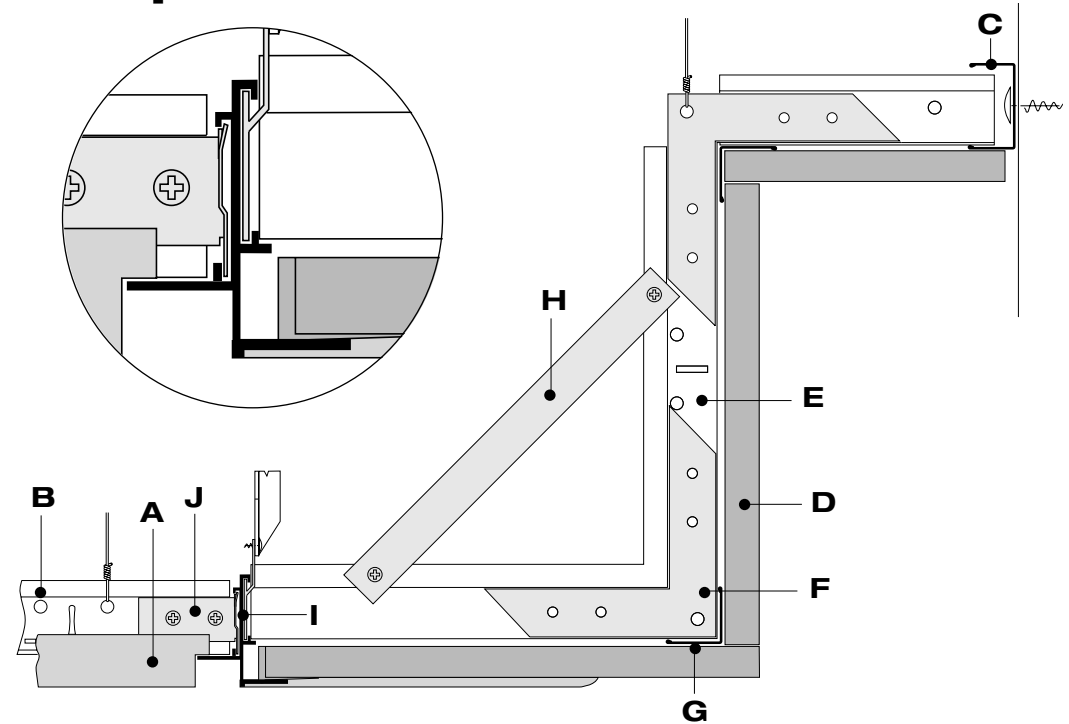
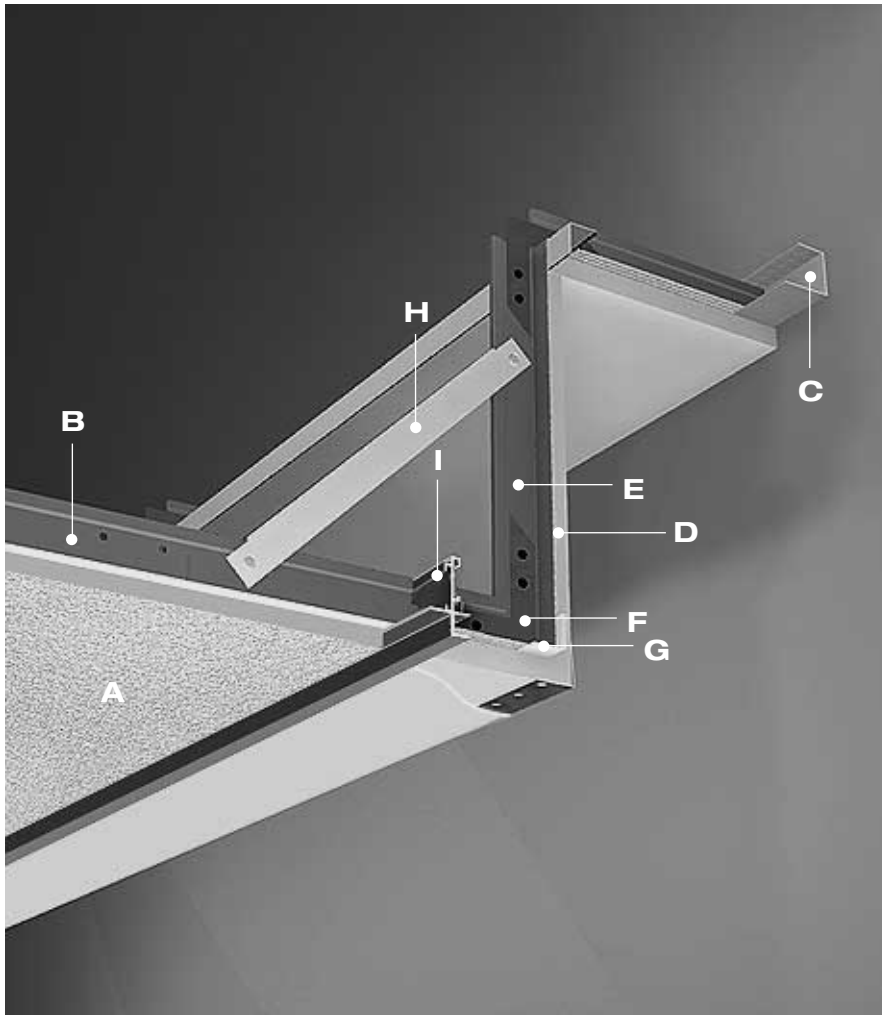
- A** Armstrong suspended ceiling tile
- B** Armstrong Trulok suspension system
- C** Armstrong perimeter trim
- D** Axiom Profiles 50, 100, 150, 200mm
- E** Axiom Profiles T-bar connector clip
- F** Axiom Profiles hanging clip
- G** Lighting fixture by others

AXIOM PERIMETER SOLUTIONS

DESIGN SOLUTION 6

Plasterboard perimeter bulkhead [Axiom Transitions section with Trulok T35]

AXIOM/TRULOK T35

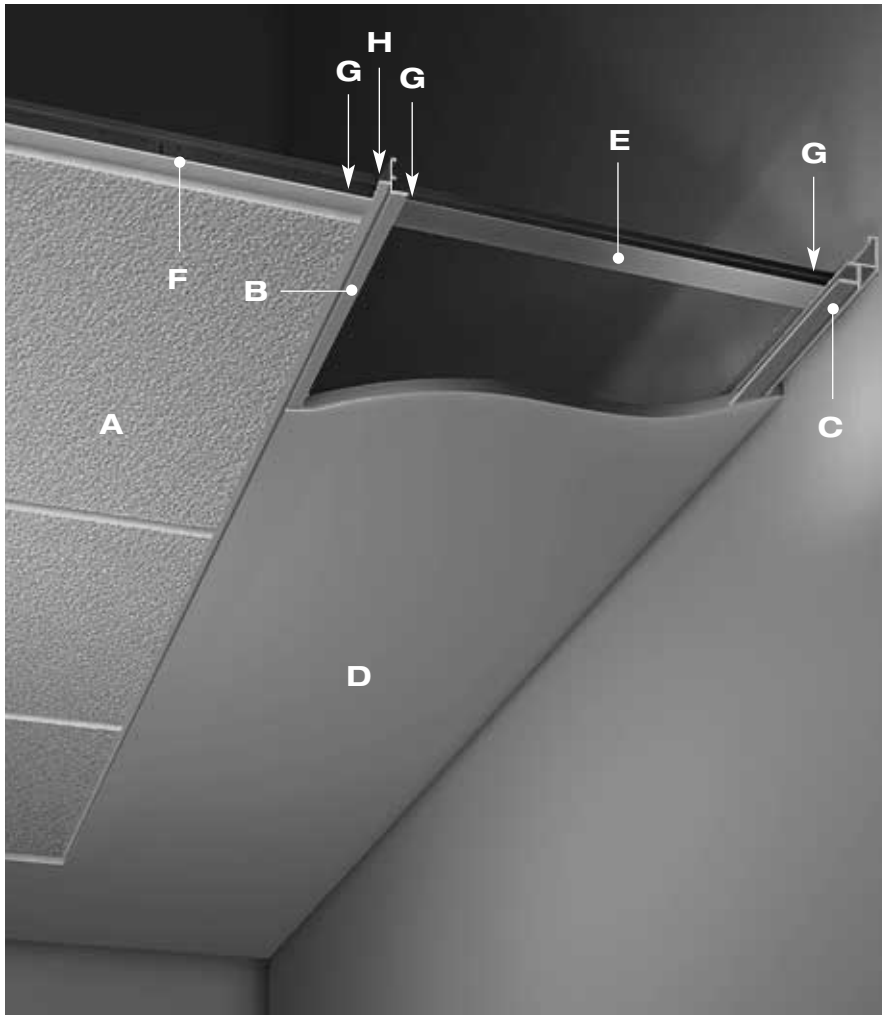


- A** Armstrong suspended ceiling tile
- B** Armstrong Trulok suspension system
- C** Armstrong C Channel
- D** Plasterboard
- E** Armstrong Trulok T35 knurled plasterboard suspension system
- F** 90-Degree bracket
- G** Armstrong perimeter trim
- H** Armstrong suspension angle
- I** Axiom Transitions section
- J** Axiom Transitions T-bar connector clip



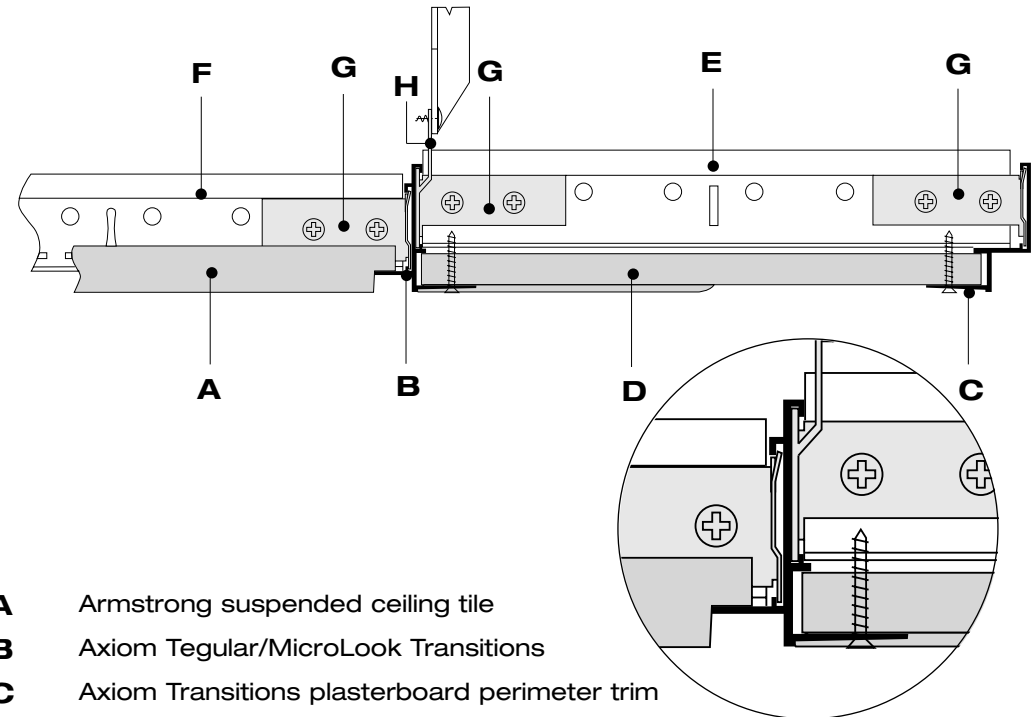
AXIOM PERIMETER SOLUTIONS

Axiom Tegular/MicroLook Transitions

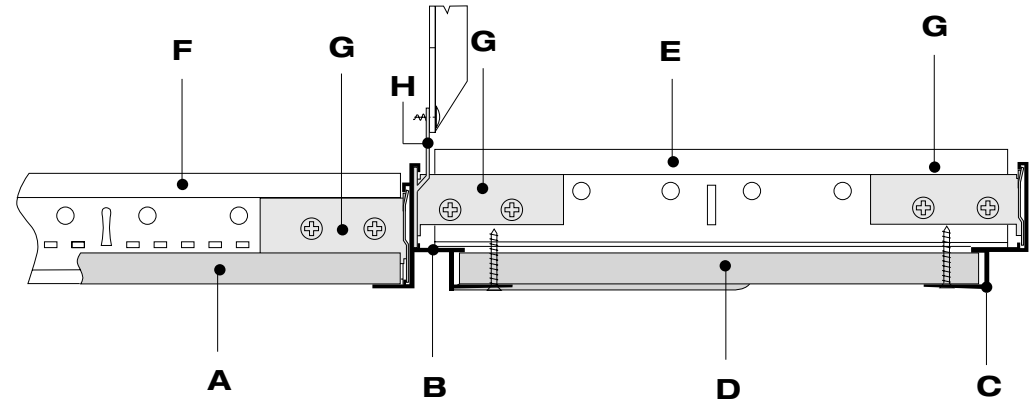
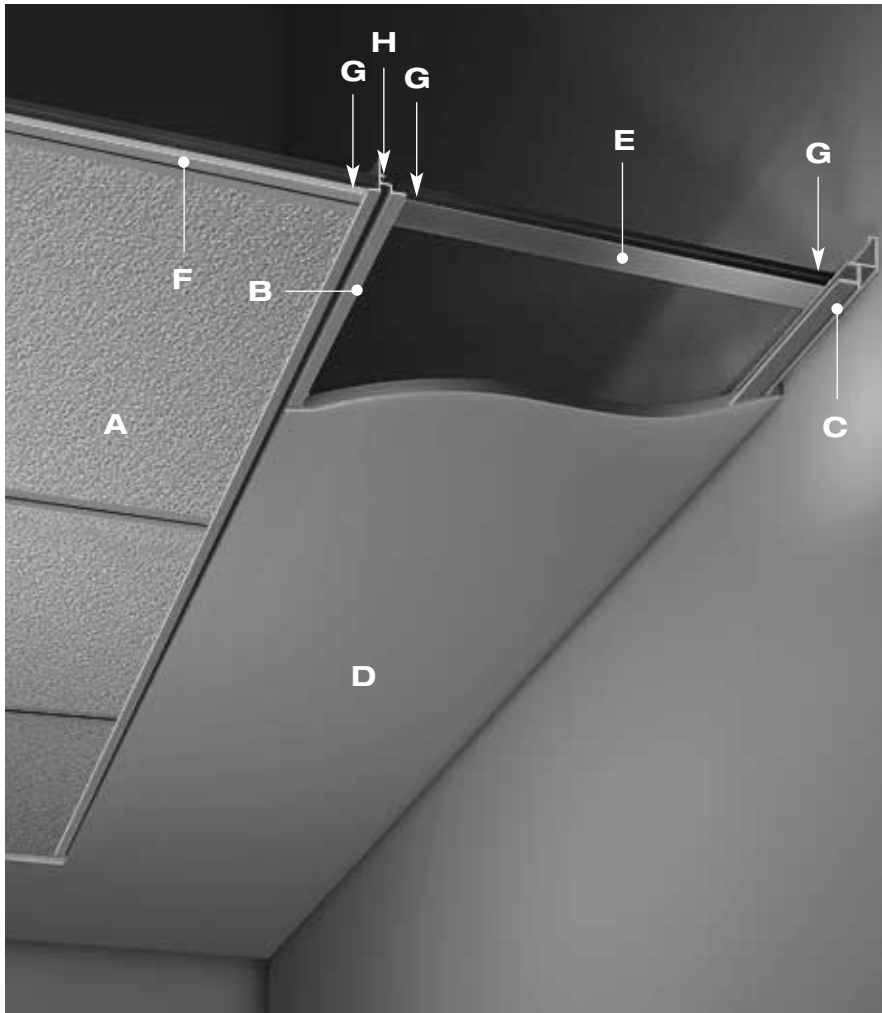


DESIGN SOLUTION 7

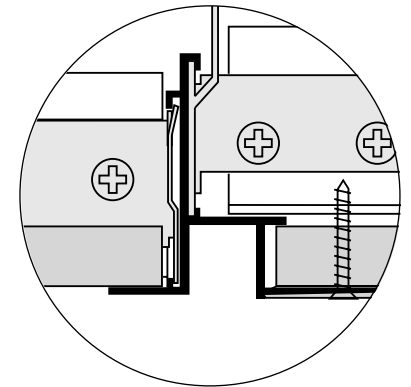
AXIOM/TRULOK T35

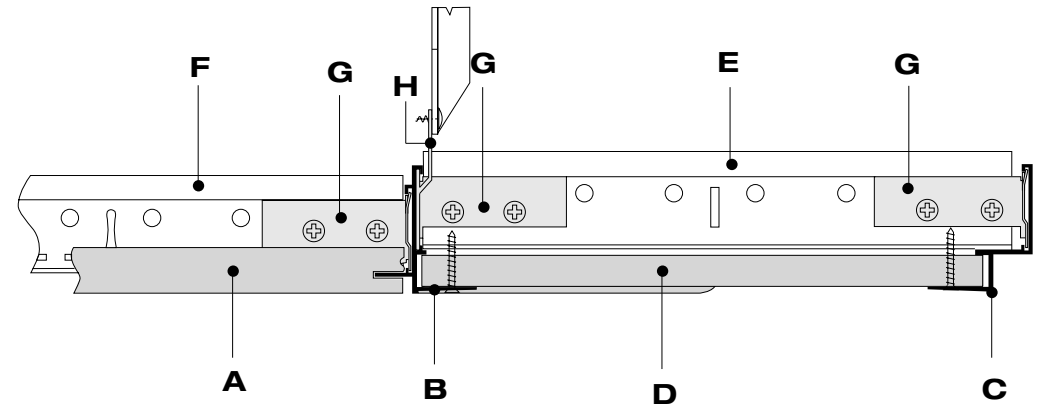
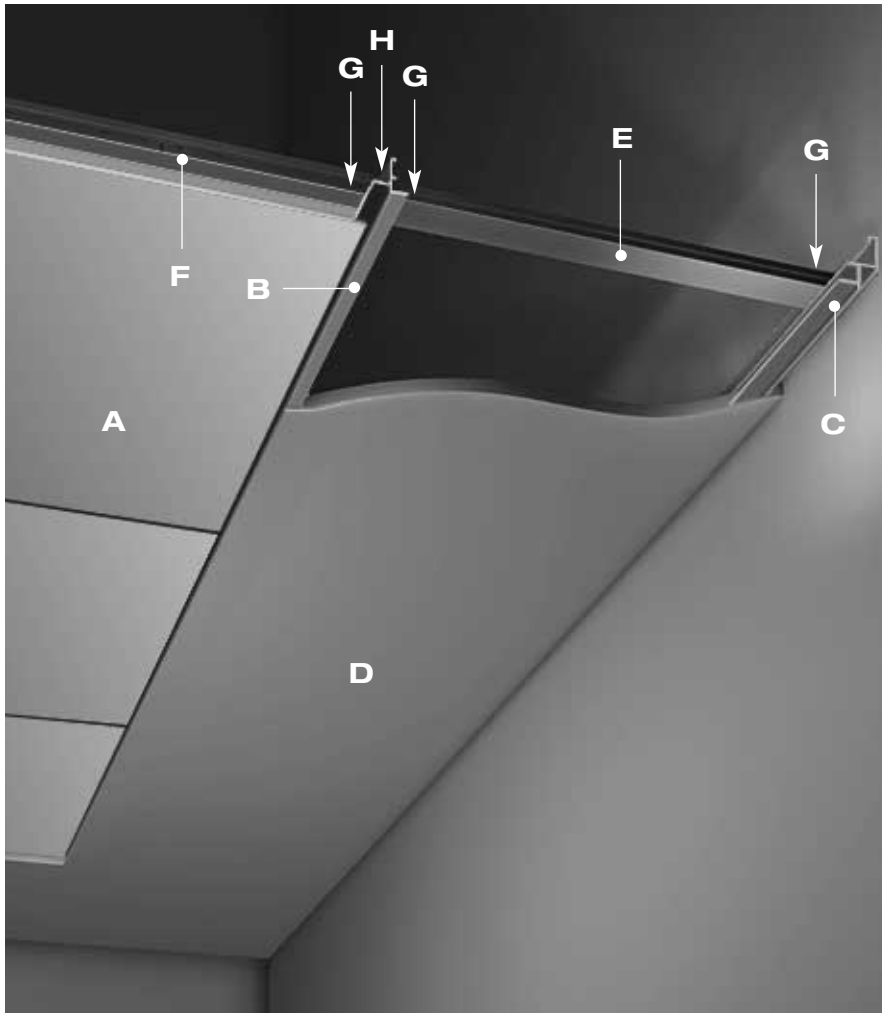


- A** Armstrong suspended ceiling tile
- B** Axiom Tegular/MicroLook Transitions
- C** Axiom Transitions plasterboard perimeter trim
- D** Plasterboard
- E** Trulok T35 knurled plasterboard suspension system
- F** Armstrong Trulok suspension system
- G** Axiom Transitions T-bar connector clip
- H** Axiom Transitions suspension clip

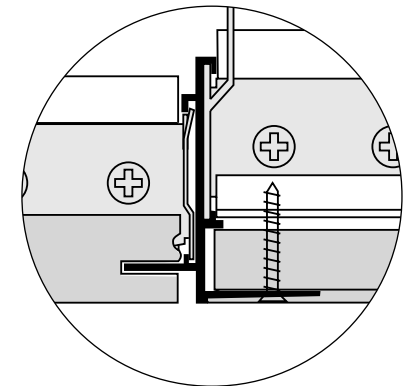


- A** Armstrong suspended ceiling tile
- B** Axiom Transitions angle
- C** Axiom Transitions plasterboard perimeter trim
- D** Plasterboard
- E** Trulok T35 knurled suspension system
- F** Armstrong Trulok suspension system
- G** Axiom Transitions T-bar connector clip
- H** Axiom Transitions suspension clip





- A** Armstrong Orcal Axal
- B** Axiom Transitions for Orcal Axal
- C** Axiom Transitions plasterboard perimeter trim
- D** Plasterboard
- E** Trulok T35 knurled suspension system
- F** Armstrong Trulok suspension system
- G** Axiom Transitions T-bar connector clip
- H** Axiom Transitions suspension clip

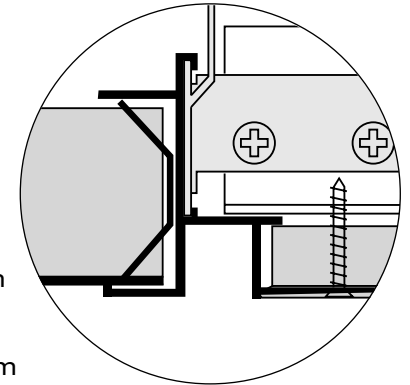
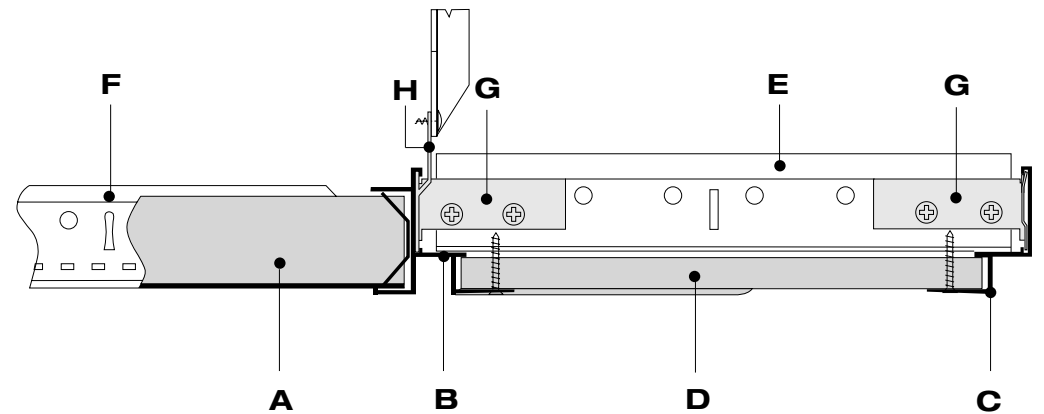
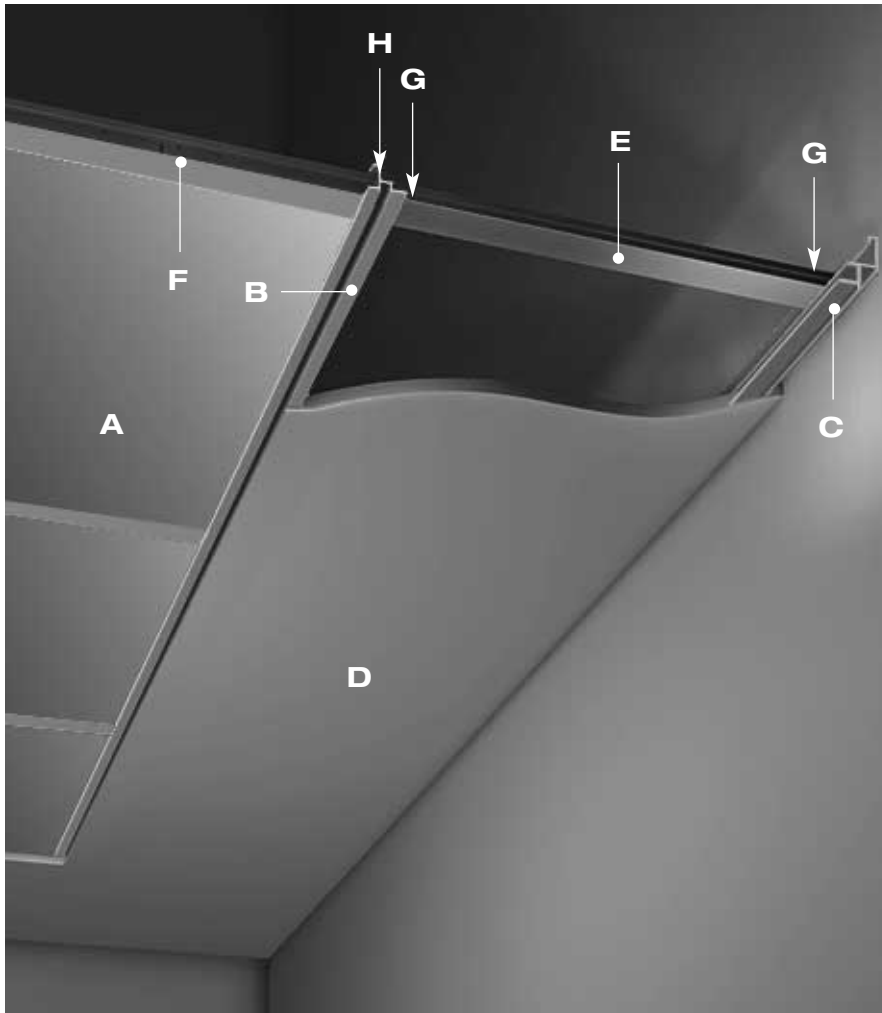


AXIOM PERIMETER SOLUTIONS

Axiom Transitions Channel

DESIGN SOLUTION 10

AXIOM/TRULOK T35



- A** Armstrong Orcal metal ceiling tile
- B** Axiom Transitions channel
- C** Axiom Transitions plasterboard perimeter trim
- D** Plasterboard
- E** Trulok T35 knurled plasterboard perimeter trim
- F** Armstrong Trulok suspension system
- G** Axiom Transitions T-bar connector clip
- H** Axiom Transitions suspension clip